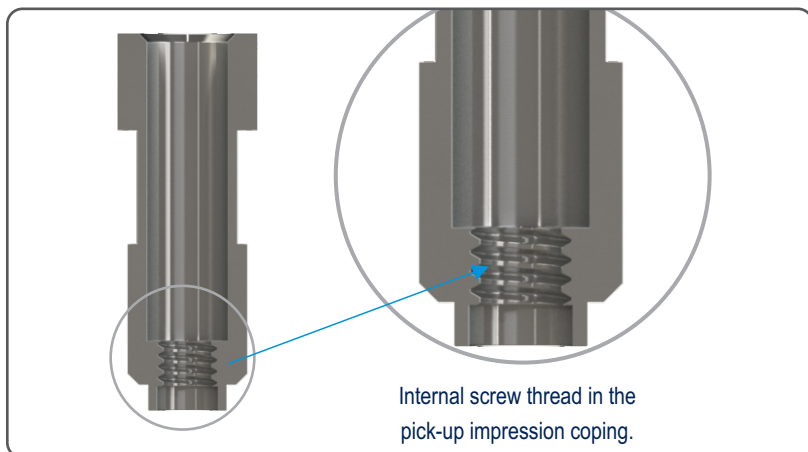
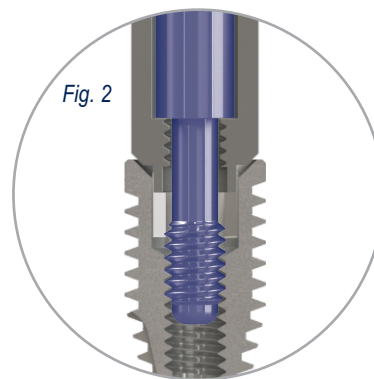
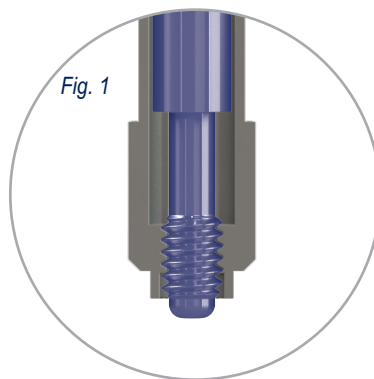


The Internal Hex range, Pick-up impression copings, used with the M-Series and Provata implants, has an internal thread in the cylinder. The advantage of the internal thread in the pick-up impression coping is in keeping the screw secure and preventing it from falling out when the coping is carried to the implant.

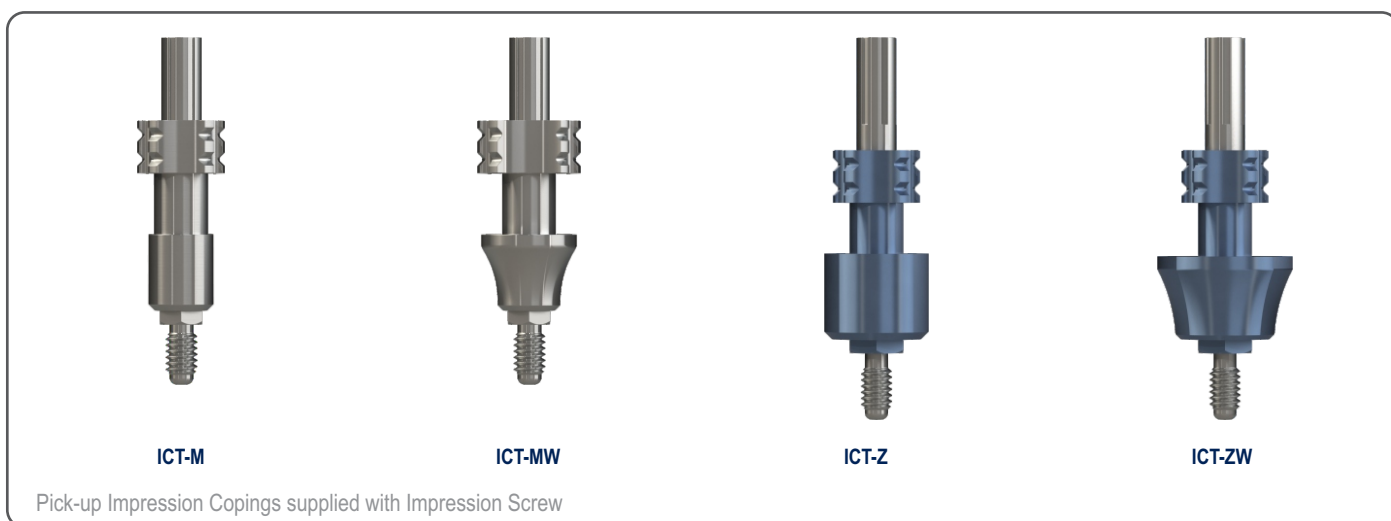


Procedure:

- Turn the impression coping screw through the impression coping prior to attaching it to the implant. (Fig. 1)
- Place onto the implant and thread screw to engage with internal thread of the implant. (Fig. 2)
- Once seating is verified the impression can be taken.



Pick-up Impression copings with the internal thread feature:



NOTE: TRANSFER IMPRESSION COPINGS DO NOT HAVE THIS FEATURE

Images are for illustration purposes only and do not necessarily accurately represent the product.